

PCI Membranes
Ultrafiltration Modules



A5 Series

PCI Membranes compact A5 tubular ultrafiltration module can be used for a wide range of industrial applications in the process industry for the economic concentration and clarification of process liquids and wastewaters.

The module comprises of a replaceable core of 69 tubes of 6mm diameter and uses PCI's robust PVDF membranes which are suited to a variety of different process conditions. Cores are fitted into PCI's proven stainless steel housings giving a nominal total of 5m2 of membrane area per 3.66m length module. (Shorter lengths are available). The open channel design processes liquids with high levels of suspended solids and facilitates highly effective cleaning in place.

The compact design gives the module a high strength allowing operating pressures of 10 bar. PCI's unique in-situ replaceable core enables fast, easy and cost effective remembraning.

REPLACEABLE MEMBRANE CORE

Allows fast, cost-effective remembraning, reducing downtime.

PROVEN MEMBRANES

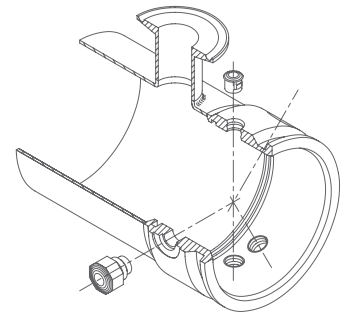
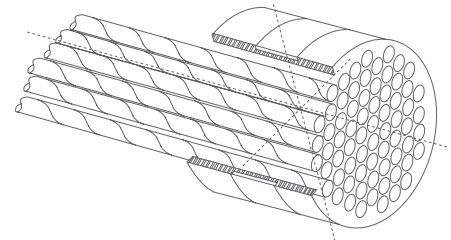
With applications in food, beverage, chemical and pharmaceutical industries.

COMPACT MODULE DESIGN

Quick and easy plant construction.

TUBULAR MODULE

Minimal prefiltration required, suited to liquids and high levels of suspended solids.



Dimensions			
Length (m)	1.83	3.05	3.66
Membrane Area (m²)	2.04	3.97	4.76

Connection	
Permeate	1" tri-clamp or 3/4" 90° Spigot in AISI 316SS
Feed	3" tri-clamp in AISI 316SS

Additional Details	
Operating Pressure	Up to 10 bar max
Operating Temperature	Up to 60°C
Shroud Material	AISI 316 Stainless Steel
Membrane Type	PVDF
pH Range	1.5-10.5

"Ultrafiltration (UF) is a variety of membrane filtration in which hydrostatic pressure forces a liquid against a semipermeable membrane. Suspended solids and solutes of high molecular weight are retained, while water and low molecular weight solutes pass through the membrane. This separation process is used in industry and research for purifying and concentrating macromolecular solutions, especially protein solutions. Ultrafiltration is applied in cross-flow and separation in ultrafiltration undergoes concentration polarization."

